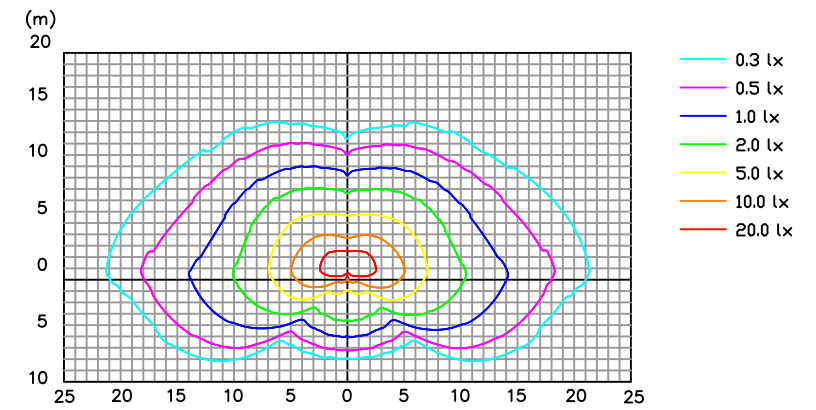


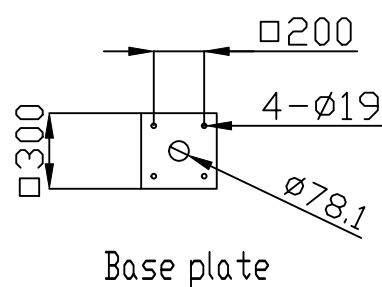
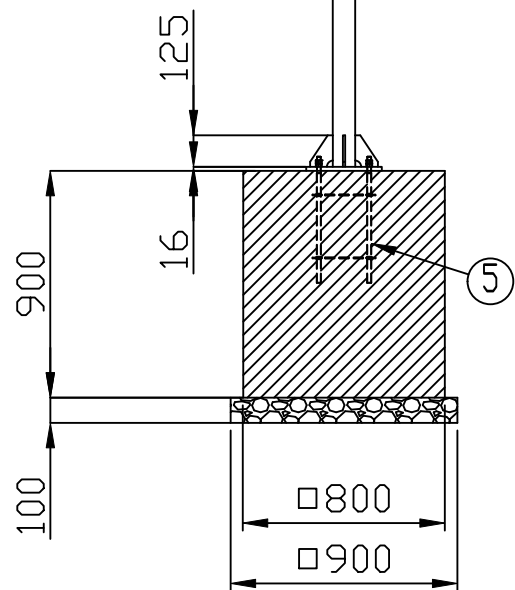
Specification	
Name	Capa series 4.15m pole type(LifePo4)
Model code	MDCP-L1Q5-4M10
Basic action	LED light on upon sunset and off upon sunrise
Operating temperature	-20~45℃
Measure for low sunshine days	weather synchronized system

Detail specification by each component		
Solar panel	Maximum power	60W x2
	Installation angle	10 degrees
Battery	Type	Lithium iron phosphate batteries (LiFePO4)
	Capacity	528Wh
	Control	Original control circuit with weather synchronized system
Light	Rechargeable cycle (Become 30% decrease of original capacity)	10,000 cycles or more *condition 1C DOD100% @23℃
	LED	Nichia LEDs
	LED color temperature	5000K
	Lighting nodes	Selectable from 6 nodes even after installation
Life (Become 30% decrease of original brightness)		approx. 60,000hrs
Weight		Main component Approx. 35kg Lighting fixture Approx. 1kg

No.	Description	Qty	Material/Capacity	Others
1	Pole	1	φ89.1 t=4.2mm	Galvanized steel, polyurethane coated
2	Solar panel Cradle	1	SUS304 Extruded (T6)	360 degree rotary
3	Solar panel	2	60W	Monocrystalline Silicon
4	Battery unit	2	264Wh	Original control circuit with weather synchronized system
5	Anchor bolt	1	M16 x 500L	Galvanized bolt
6	LED Light	1	Aluminum die casting PMMA	Adjustable (horizontal to 10°/20° upper) IP Rating: IP55
7	Light bracket	1	steel/stainless steel	360 degree rotary

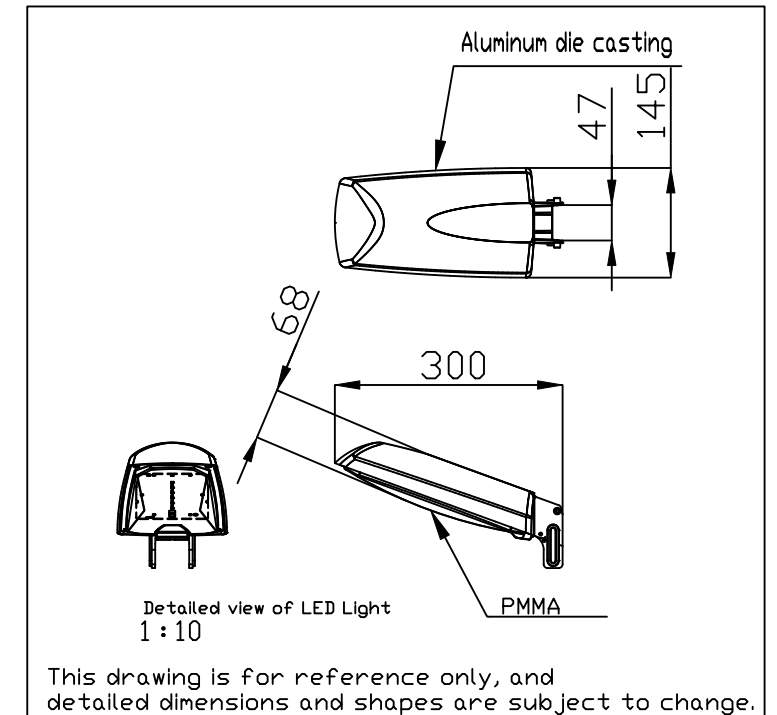
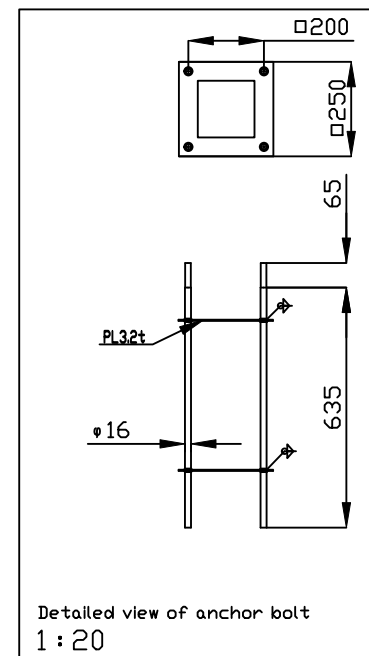
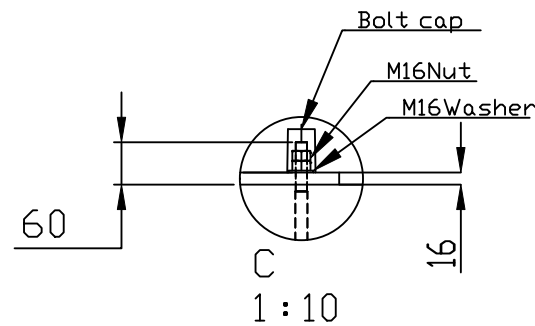


Typical case illuminance distribution
 Power consumption: Approx. 18W
 Height: 4.15m
 Horizontal angle: 10°
 lighting time: 12hrs (from sunset to sunrise)
 Dimmer: No dimmer (Constant illuminance for 12hrs)



4150

4000



Remarks

- *1. Install it in a place that is not shaded, such as a tree or a building.
- *2. Decide installation place with careful investigation.
- *3. Screws and bolts as attached accessories are SUS material.
- *4. Screws and bolts as attached accessories are anti-tampering screws.
- *5. Installation manual shall be provided separately.
- *6. Base/foundation are not included in this product.
- *7. Products and base foundation is designed against wind resistance over 61m/s (equivalent to 200 feet/s).
- *8. The installation orientation of the solar panel mount is set according to the local sunshine conditions.
- *9. This drawing is for reference only, and detailed dimensions and shapes are subject to change.

	DATE	Name
DRAWN	2023/7/6	Makino
CHECKED	2023/7/6	Seki
APPROVED		

L-kougen co., Ltd	
TITLE	
Capa series 4.15m pole type(LifePo4)	
Model code	
MDCP-L1Q5-DSS	

SCALE 1:30

mm

A3