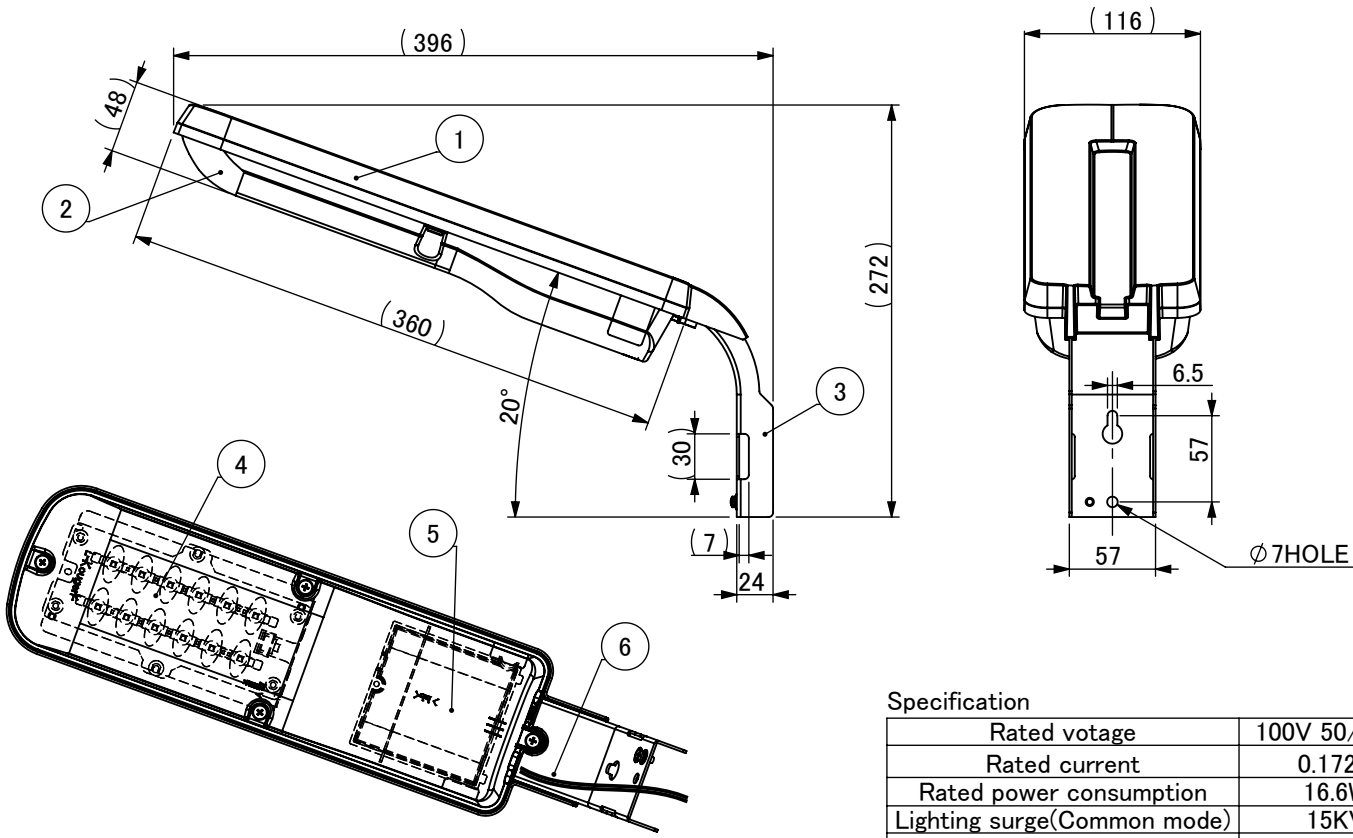


No	DESCRIPTION	QTY	MATERIAL	OUTLINE
1	TOP COVER	1	ASA (with weather resistance)	GRAY
2	COVER	1	PMMA (poly methyl methacrylate)	CLEAR
3	FRAME	1	Zn-Al-Mg alloy coated steel sheet t1.6	Corrosion Resistance
4	LED MODULE	1		with Optical Lens
5	POWER UNIT	1		
6	CONNECTED CABLE	2		Length: 300mm

Applicable pole dimension for installation:  $\Phi 60.5 \sim$

Operating Temperature:  $-20 \sim 35^{\circ}\text{C}$



Specification

Rated voltage	100V 50/60Hz
Rated current	0.172A
Rated power consumption	16.6W
Lighting surge(Common mode)	15KV
Lumen as Fixture	1820 lm
Protection level	IP44

日付	2017.12.4	名前	H.Murasugi	Area presented to the wind
製図				Front face: 0.040m <sup>2</sup>
検図				Side face: 0.018m <sup>2</sup>
承認				Weight: 1200g
				投影法:

L-kougen Co.,Ltd	
NAME	Security Light
MODEL	FTU20SL
Scale: 1:5	単位: mm
A4	